



INSTALLATION INSTRUCTIONS

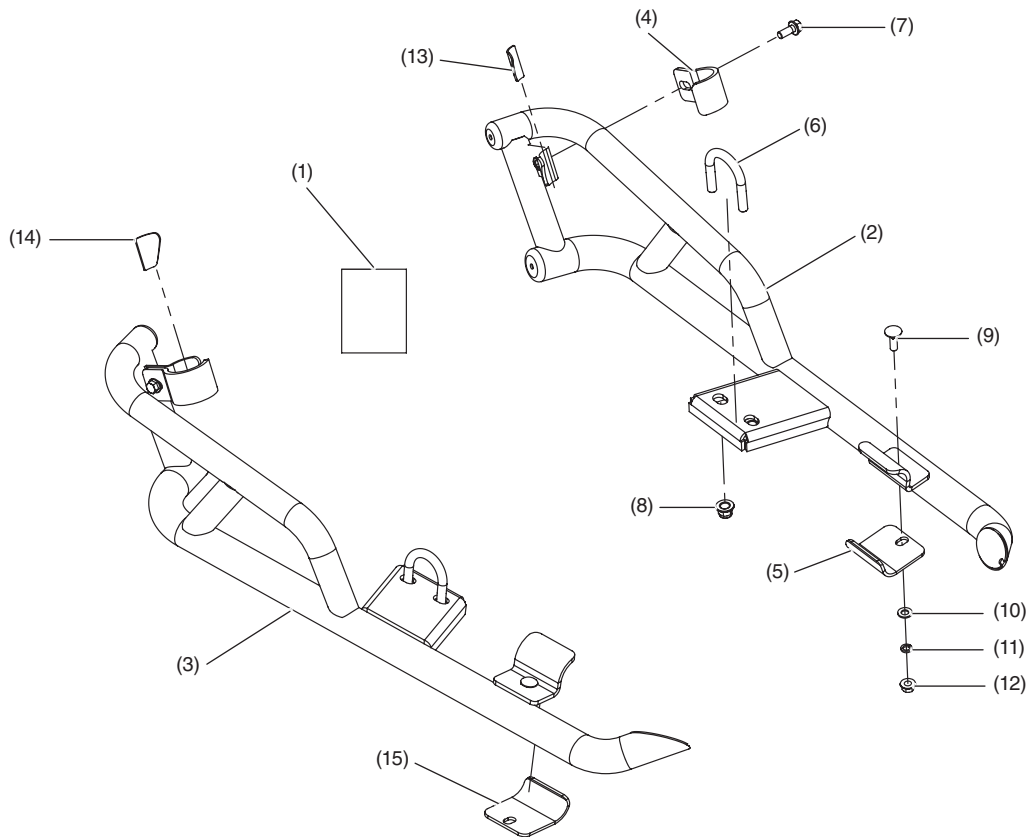
Accessory
NERF BARS
P/N OSP74-HL5-A00

Application
SXS520M2

Publication No.
MII 17623
Issue Date
December 2020

Honda Dealer: Please give a copy of these instructions to your customer.

PARTS LIST



No.	Description	Qty
(1)	Installation Instructions URL	1
(2)	Driver side Nerf Bar	1
(3)	Passenger side Nerf Bar	1
(4)	Rear Bracket	2
(5)	Driver side Bracket	2
(6)	U-Bolt	2
(7)	12 mm Hexagonal Head Flanged Bolt	2
(8)	14 mm Hexagonal Head Flanged Nylon Nut	4
(9)	Carriage bolt	2
(10)	Washer	2
(11)	Spring Lock washer	2
(12)	12 mm Hexagonal Head Serrated Flanged Nut	2
(13)	Driver side Rubber Pad	1
(14)	Passenger side Rubber Pad	1
(15)	Passenger side Bracket	1

TOOLS REQUIRED

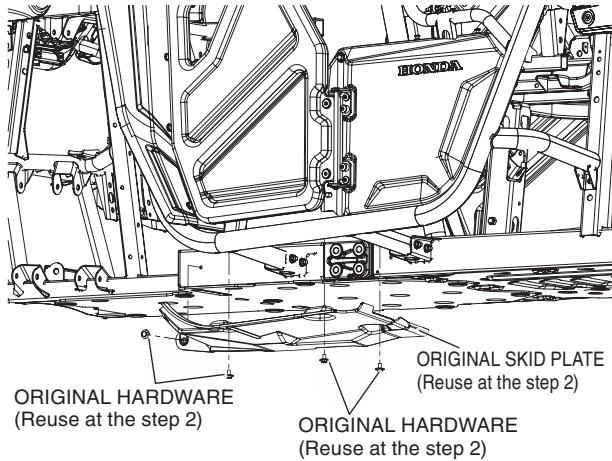
Socket (12 mm)
 Socket (14 mm)
 Ratchet
 Torque wrench
 12 mm Socket Hex Wrench
 14 mm Socket Hex Wrench
 Jigsaw or a convenient cutting tool.

TORQUE CHART

Item	N-m	kgf-m	lbf-ft
12 mm Hexagonal Head Flanged Bolt	28	2.4	20
14 mm Hexagonal Head Flanged Nylon Nut	48	4.9	35
12 mm Hexagonal Head Serrated Flanged Nut	28	2.4	20

INSTALLATION

1. Remove the skid plate under the vehicle, by removing the four original bolts, then cut the skid plate as indicated below (refer to the printable scale plan at the end of the instructions).

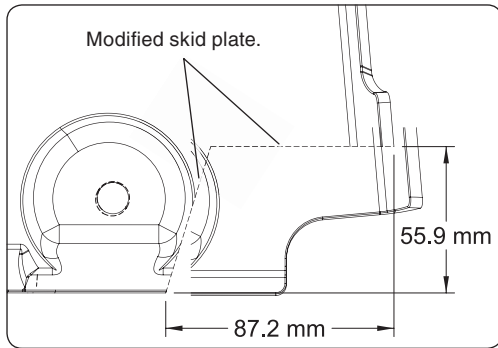
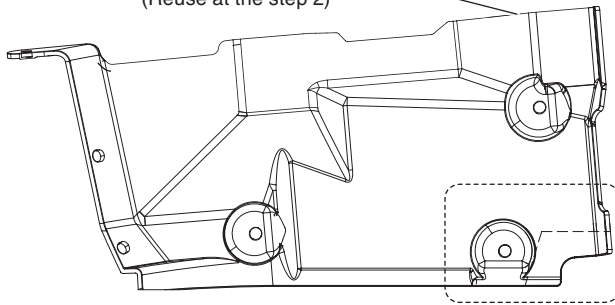


ORIGINAL HARDWARE
(Reuse at the step 2)

ORIGINAL SKID PLATE
(Reuse at the step 2)

ORIGINAL HARDWARE
(Reuse at the step 2)

ORIGINAL SKID PLATE
(Reuse at the step 2)

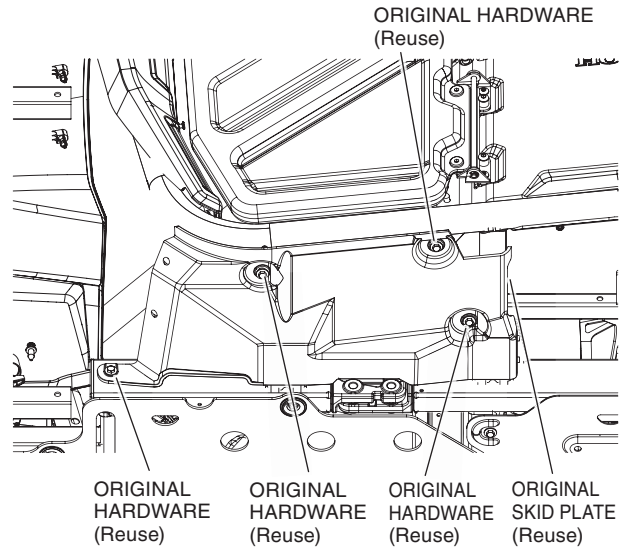


Modified skid plate.

55.9 mm

87.2 mm

2. Reinstall the Skid plate and the original hardware.



ORIGINAL HARDWARE
(Reuse)

ORIGINAL
HARDWARE
(Reuse)

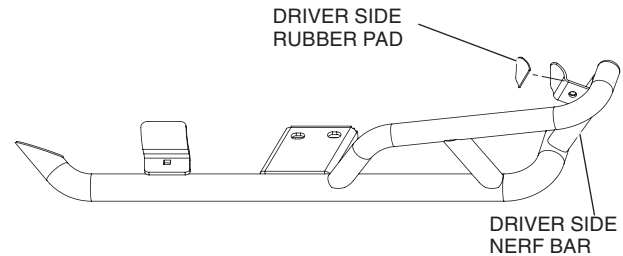
ORIGINAL
HARDWARE
(Reuse)

ORIGINAL
HARDWARE
(Reuse)

ORIGINAL
SKID PLATE
(Reuse)

3. Remove the film from the self-adhesive on driver side rubber pad and stick it to the rear bracket on the driver side nerf bar in the position shown below.

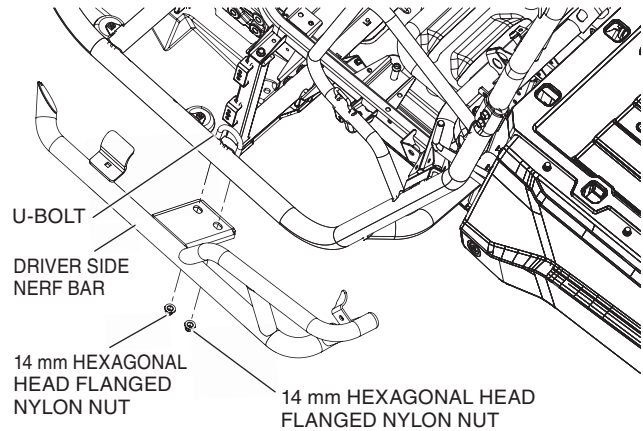
NOTE: Clean the mating surface of the Nerf Bar with alcohol before installing the Rubber Pad.



DRIVER SIDE
RUBBER PAD

DRIVER SIDE
NERF BAR

4. Install the driver side nerf bar using the 14 mm U-bolt in the location shown. Insert the 14 mm U-bolt through the slotted holes of the central bracket and install the 14 mm hexagonal head flanged nylon nut underneath without tightening.



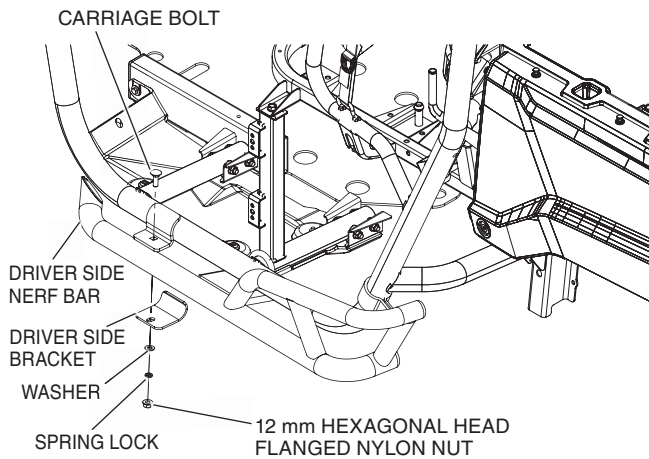
U-BOLT

DRIVER SIDE
NERF BAR

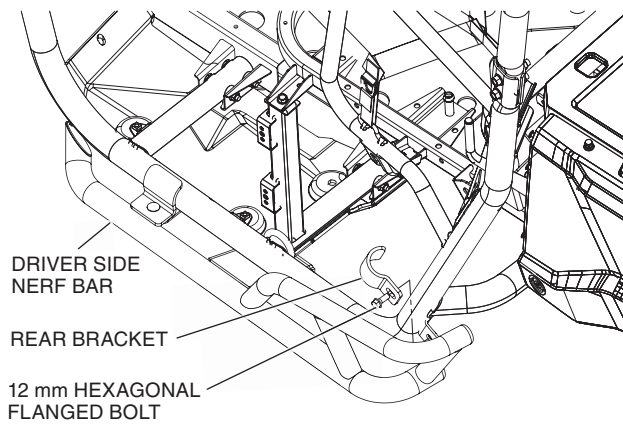
14 mm HEXAGONAL
HEAD FLANGED
NYLON NUT

14 mm HEXAGONAL HEAD
FLANGED NYLON NUT

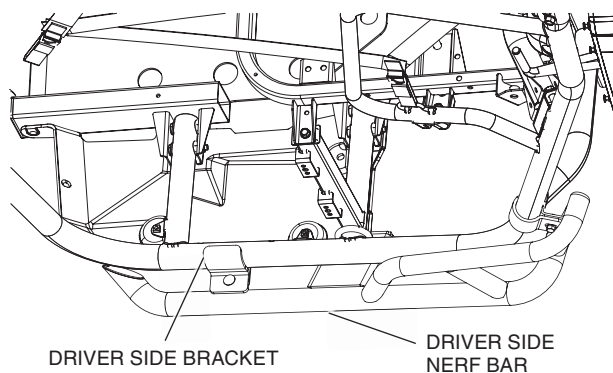
5. Install the Front bracket using one carriage bolt, washer, spring lock washer and 12 mm hexagonal head flanged nylon nut by hand.



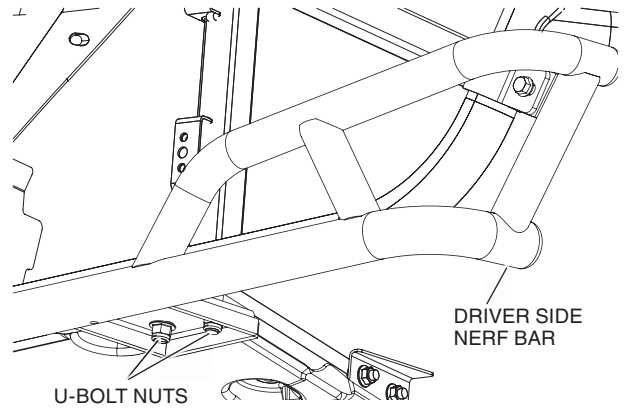
6. Position and adjust the product to make sure the rear bracket is in contact with the tube then tighten the 12 mm hexagonal head flanged bolt to the value specified in the TORQUE CHART.



7. Adjust and tighten the driver side bracket to the value specified in the TORQUE CHART.



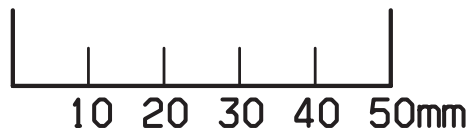
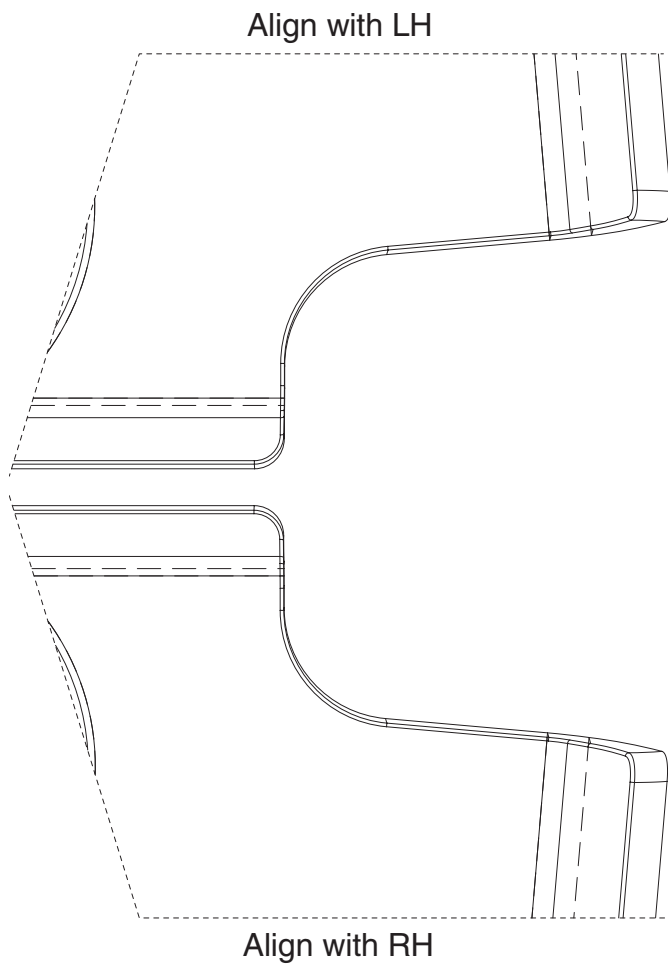
8. Tighten the U-bolt nuts to the values specified in the TORQUE CHART.



9. Repeat step 1 through 8 on the passenger door.

<TEMPLATE>

Cut template along the dotted lines.



NOTICE

If you print this template from your local computer, make sure the printer settings do not "scale" or "shrink" the page.